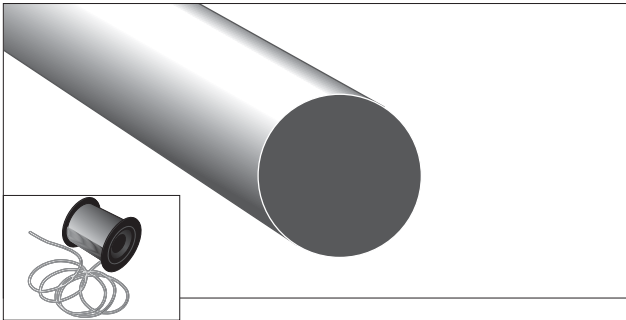


# BANDO BANCORD (POLYURETHANE OPEN-END ROUND BELT)



## Construction

Polyurethane without tensile members

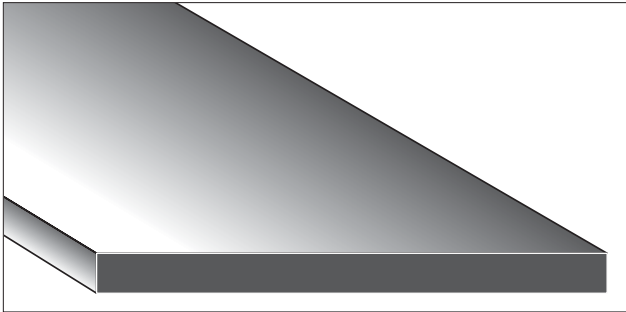
## Features + Benefits

Adjusts to any application, including three dimensional drives, by simply cutting the belt to the required length and heatsplicing the ends.

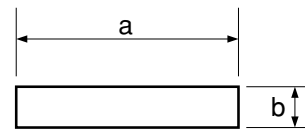
## Standard Sizes

| Diameter of belt  | mm   | 1.5                           | 2    | 2.5  | 3    | 3.5  | 4    | 5         | 6    | 7    | 8    | 9    | 10   | 11   | 12   | 15   |
|-------------------|------|-------------------------------|------|------|------|------|------|-----------|------|------|------|------|------|------|------|------|
|                   | inch | 0.06                          | 0.08 | 0.10 | 0.12 | 0.14 | 0.16 | 0.20      | 0.24 | 0.28 | 0.31 | 0.35 | 0.39 | 0.43 | 0.47 | 0.60 |
| #480 Standard     |      | ○                             | ○    | ○    | ○    | ○    | ○    | ○         | ○    | ○    | ○    | ○    | ○    | ○    | ○    | ○    |
| #489 high modulus |      | ○                             | ○    | ○    | ○    | ○    | ○    | ○         | ○    | ○    | ○    | ○    | ○    | ○    | ○    | ○    |
| length/roll       |      | #480 200m/roll #489 100m/roll |      |      |      |      |      | 100m/roll |      |      |      |      |      |      |      |      |

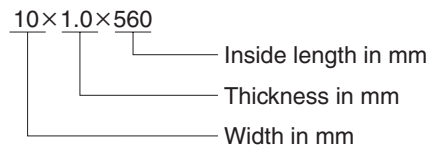
# FLAT BELTS (POLYURETHANE, CORDLESS)



## Dimensions



## Size mark



## Construction

Polyurethane without tensile members

## Features + Benefits

- Smooth constant speed  
Thickness tolerance is  $\pm 0.0020''$  (0.05mm), so there is virtually no speed variation.
- Space saving  
Minimum pulley diameter is 0.2" (5.0mm). This allows high speed ratios.

## Standard Sizes

| a×b (mm) | BELT INSIDE LENGTH (mm)                                     |
|----------|---|
| 10×1.0   | 169 172 180 186 197 220 232 235 240 243 262 264 265 269 279 |
|          | 280 283 287 289 317 319 323 371 386 388 410 415 417 422 429 |
|          | 482 493 505 506 515 578 579 585 591 594 617 641 669 685 692 |
|          | 700 728 750 772 787 845 889 990                             |

The above belt should be installed at 6% stretch.

## PS Belts

BANDO PS Belt is made of seamless woven fabric. The fabric is coated with various kinds of rubber or polyurethane rubber. This belt is newly developed to meet precision drives such as office automation equipment, computer peripherals and banking machines.

| Type <sup>*-1</sup> | Applicable performance   | Construction                  |                                |                                 |                  | Color tone           | Available dimensions <sup>*-3</sup> |                          |                         |
|---------------------|--|-------------------------------|--------------------------------|---------------------------------|------------------|----------------------|-------------------------------------|--------------------------|-------------------------|
|                     |  | Number of tensile member(ply) | Material of                    | Shape of surface <sup>*-2</sup> |                  |                      | Total thickness                     | Width                    | Inside perimeter length |
| Front surface       | Rear surface   |                               |                                |                                 |                  |                      |                                     |                          |                         |
| <b>A-1C</b>         | Low-torque, high-speed power transmission<br>Weather resistance, cold resistance   | 1-ply polyester               | Chloroprene rubber             | Rough surface                   | Smooth surface   | Black                | 0.22                                | 3~300                    | 100~1900                |
| <b>A-1U</b>         | Low-torque, high-speed power transmission<br>Weather resistance, oil resistance, abrasion resistance   | 1-ply polyester               | Polyurethane                   | Rough surface                   | Smooth surface   | White, green         | 0.22                                | 3~300                    | 100~1900                |
| <b>A-4U</b>         | Low-torque, high-speed power transmission<br>Weather resistance, oil resistance, abrasion resistance   | 1-ply polyester               | Polyurethane                   | Rough surface                   | Smooth surface   | White, green         | 0.4                                 | 5~300                    | 180~5700                |
| <b>A-10N</b>        | Medium-torque, high-speed power transmission<br>Oil resistance, cold resistance  | 1-ply polyester               | Nitrile rubber                 | Rough surface                   | Smooth surface   | Black                | 1.0                                 | 5~300                    | 300~5700                |
| <b>A-13C</b>        | Medium-torque, high-speed power transmission<br>Weather resistance, cold resistance  | 1-ply polyester               | Chloroprene rubber             | Rough surface                   | Smooth surface   | Black                | 1.1                                 | 5~300                    | 300~5700                |
| <b>A-P</b>          | Medium-torque, high-speed power transmission<br>(No unraveling from edges)   | 4-ply polyamide               | Impregnated chloroprene rubber | Canvas surface                  | Canvas surface   | Black                | 1.3                                 | <sup>*-4</sup><br>10~350 | 200~1000<br>1000~2700   |
| <b>A-W</b>          | Medium-torque, high-speed power transmission<br>Quiet operation (No unraveling from edges)   | 1-ply vinylon                 | Canvas fabric                  | Canvas surface                  | Canvas surface   | Canvas natural color | 2.0                                 | 20~200                   | 800~5700                |
| <b>B-2C</b>         | Conveyance of light objects such as sheets of paper, tickets, etc.<br>Weather resistance, cold resistance  | 1-ply polyester               | Chloroprene rubber             | Rough surface                   | Smooth surface   | Black                | 0.8                                 | 5~300                    | 250~5700                |
| <b>B-2H</b>         | Conveyance of light objects such as sheets of paper, tickets, etc.<br>Weather resistance, anti-staining properties                                     | 1-ply polyester               | Hypalon rubber                 | Rough surface                   | Smooth surface   | White                | 0.8                                 | 5~300                    | 250~5700                |
| <b>B-2CE</b>        | Conveyance of light objects such as sheets of paper, tickets, etc.<br>Superconductivity (a level of 100Ω)  | 1-ply polyester               | Chloroprene rubber             | Canvas surface                  | Smooth surface   | Black                | 1.1                                 | 10~200                   | 250~5700                |
| <b>B-3C</b>         | Conveyance of light objects such as sheets of paper, tickets, etc.<br>Low-torque, high-speed power transmission<br>Weather resistance, cold resistance | 1-ply polyester               | Chloroprene rubber             | Rough surface                   | Smooth surface   | Black                | 0.6                                 | 10~300                   | 250~5700                |
| <b>B-6N</b>         | Conveyance of light objects such as sheets of paper, tickets, etc.<br>Low-torque, high-speed power transmission<br>Oil resistance, abrasion resistance | 1-ply polyester               | Nitrile rubber                 | Rough surface                   | Smooth surface   | Black                | 1.0                                 | 10~300                   | 250~5700                |
| <b>C-8C</b>         | Precision power transmission and conveyance of light objects such as equipment fixed between axes  | 1-ply polyester               | Chloroprene rubber             | Rough surface                   | Smooth surface   | Black                | 0.7                                 | 3~300                    | 160~5700                |
| <b>C-16C</b>        | Precision power transmission and conveyance of light objects such as equipment fixed between axes  | 1-ply polyester               | Chloroprene rubber             | Rough surface                   | Smooth surface   | Black                | 0.7                                 | 3~300                    | 160~5700                |
| <b>Z-H250X</b>      | Low-torque power transmission, conveyance of light objects at high ambient temperatures (i.e., 250Åé or less)  | 1-ply aromatic amide          | Silicon rubber                 | Mirror surface                  | Mirror surface   | Liver                | 0.9                                 | 10~300                   | 460~2000                |
| <b>E-8U</b>         | Conveyance of light objects such as banknotes, cards, tickets, etc. on equipment fixed between axes  | 1-ply polyester               | Polyurethane (Millable)        | Polished surface                | Polished surface | Black                | 0.65<br>0.8<br>1.0                  | 8~200                    | 50~1500                 |
| <b>EX-10U</b>       | Conveyance of light objects such as banknotes, cards, tickets, etc. on equipment fixed between axes  | 1-ply polyester               | Polyurethane (Millable)        | Mirror surface (Mold surface)   | Polished surface | Black                | 0.65                                | 8~200                    | 180~1100                |

※-1 Besides types listed above, available types A-1N, A-4C, A-10C, A-13N, B-2N, B-2UF, B-3N, B-6C, C-8N, C-8U, C-16N, C-16U, and others.

※-2 Select proper working surface according to your use conditions. Normally, it is recommended to use the smooth surface as the pulley surface.

Besides the surfaces listed above, rough/polished surface and mirror/mirror (polished on one side) are available. For further information, contact us or your representative.

※-3 Any belt dimensions other than standard ones are available on your request. For any dimensions other than available dimensions listed above, contact us or your representative.

※-4 10 mm to (0.15×Belt's inside perimeter length) mm

## Features

1. **Compact design** Drives are compact because of thin, seamless and flexible belt.
2. **Smooth running** Seamless belt can give smooth running with no vibration.
3. **Maintenance free** Belt does not stretch because of specially treated tension member.
4. **Energy saver** Lightweight and flexible belt minimizes power loss.

◎:Optimum ○:Suited ×:N/A

| Type *-1 | Tensile strength N/10 mm width | Axial load at stabilized extension N/10 mm wide |                      | Min. pulley diameter | Weight (approx.) g/10 mm wide×m long | Abrasion resistance | Oil resistance | Electrical conductivity | Flame retardance | Ozone resistance | Major application  |
|----------|--------------------------------|---|----------------------|----------------------|--------------------------------------|---------------------|----------------|-------------------------|------------------|------------------|--|
| A-1C     | 150                            | 0.5%  | 30                   | 5                    | 2.5                                  | ○                   | ○              | ◎                       | ◎                | ◎                | • Take-up of tape<br>• Dial driving  |
| A-1U     | 150                            | 0.5%  | 30                   | 5                    | 2.3                                  | ◎                   | ◎              | ×                       | ○                | ◎                | • Precision gauge driving<br>• Acoustic equipment  |
| A-4U     | 400                            | 0.5%  | 45                   | 10                   | 4                                    | ◎                   | ◎              | ×                       | ○                | ◎                | • Terminal equipment • Communication equipment<br>• Card reader<br>• Magnetic disk • Acoustic equipment  |
| A-10N    | 1000                           | 0.5%  | 110                  | 15                   | 11                                   | ◎                   | ◎              | ◎                       | ○                | ×                | • Grinding machine • Textile machinery<br>• Routing machine • Washing machine<br>• Line printer • Automatic lathe                                    |
| A-13C    | 1350                           | 0.5%  | 170                  | 20                   | 12                                   | ○                   | ○              | ◎                       | ◎                | ◎                | • Vacuum cleaner • Grinding machine<br>• Rotary burner<br>• Textile machinery  |
| A-P      | 1400                           | 1%<br>2%<br>3%                                  | 130<br>210<br>280    | 50                   | 11                                   | ○                   | ○              | ◎                       | ○                | ◎                | • Printing machine<br>• Automatic control device   |
| A-W      | 1700                           | 1%<br>2%  | 200<br>490           | 30                   | 9                                    | ×                   | ◎              | ×                       | ×                | ◎                | • Thread plying machine<br>• Cigarette making machine  |
| B-2C     | 250                            | 1%<br>2%<br>3%                                  | 30<br>50<br>60       | 10                   | 9                                    | ○                   | ○              | ◎                       | ◎                | ◎                | • Ticket-issuing machine • Bank terminal machine<br>• Automatic ticket gate • Automatic packaging machine<br>• Money change machine • Cash dispenser |
| B-2H     | 250                            | 1%<br>2%<br>3%                                  | 30<br>50<br>60       | 10                   | 9                                    | ○                   | ○              | ×                       | ◎                | ◎                | • Banknote checker • Office equipment<br>• Automatic checker<br>• Fare box • Ticket vending machine • Printing machine                               |
| B-2CE    | 200                            | 1%<br>2%<br>3%                                  | 60<br>80<br>110      | 30                   | 12                                   | ○                   | ○              | ◎                       | ◎                | ◎                | • Sorter • Copying machine<br>• Paper conveyance system<br>• Cash dispenser  |
| B-3C     | 380                            | 1%<br>2%<br>3%                                  | 70<br>120<br>140     | 10                   | 7                                    | ○                   | ○              | ◎                       | ◎                | ◎                | • Copying machine • Motoring amusement machine<br>• Automatic packaging machine<br>• Microfilm equipment   |
| B-6N     | 600                            | 1%<br>2%<br>3%                                  | 180<br>280<br>360    | 25                   | 11                                   | ◎                   | ◎              | ◎                       | ○                | ×                | • Automatic checker<br>• Printing machine • Office equipment<br>• Optical reader   |
| C-8C     | 80                             | 1%<br>2%<br>3%                                  | 9<br>15<br>20        | 5                    | 8                                    | ○                   | ○              | ◎                       | ◎                | ◎                | • Floppy disk<br>• Office equipment  |
| C-16C    | 160                            | 1%<br>2%<br>3%                                  | 20<br>30<br>40       | 7                    | 8                                    | ○                   | ○              | ◎                       | ◎                | ◎                | • Document feeder<br>• Copying machine • Sorter<br>• Fish detector   |
| Z-H250X  | 400                            | 1%  | 120                  | 30                   | 11                                   | ×                   | ○              | ×                       | ○                | ◎                | • Copying machine • Heat sealing machine<br>• Measuring meter • Testing machine<br>• Large-sized facsimile   |
| E-8U     | —                              | 5%<br>6%<br>7%<br>8%                            | 10<br>12<br>14<br>16 | 8                    | 10/total thickness 1.0mm             | ◎                   | ○              | ◎                       | ○                | ◎                | • Bank terminal equipment<br>• Cash dispenser<br>• Card reader<br>• Office equipment   |
| EX-10U   | —                              | 5%<br>6%<br>7%<br>8%                            | 9<br>11<br>13<br>15  | 8                    | 10                                   | ◎                   | ○              | ◎                       | ○                | ◎                | • Bank terminal equipment<br>• Cash dispenser<br>• Card reader<br>• Office equipment   |

Nomenclature of belt ※-1 Besides types listed above, available types A-1N, A-4C, A-10C, A-13N, B-2N, B-2UF, B-3N, B-6C, C-8N, C-8U, C-16N, C-16U and others.

B - 2 C E  
① ②③④

① Series name of belt ... A: Mainly used for high-speed power transmission, B: Mainly used for conveyance of light objects such as sheets of paper, tickets, etc., C: Mainly used for precision power transmission, Z: Mainly used for conveyance at high temperatures, E: Used for conveyance of light objects

② Tensile strength of belt ... Series A & B: Indicating 1/100 of tensile strength, Series C & E: Indicating 1/10 of tensile strength

③ Material of cover ... C: Chloroprene, N: Nitrile rubber, U: Polyurethane, H: Hypalon rubber

④ Additional function ... E: Electrical conductivity of a level of 100Ω, F: Certified by Food Sanitation Law and Official Notice No.20 of Ministry of Health, Labour and Welfare.

※P,W: Special textile fabric