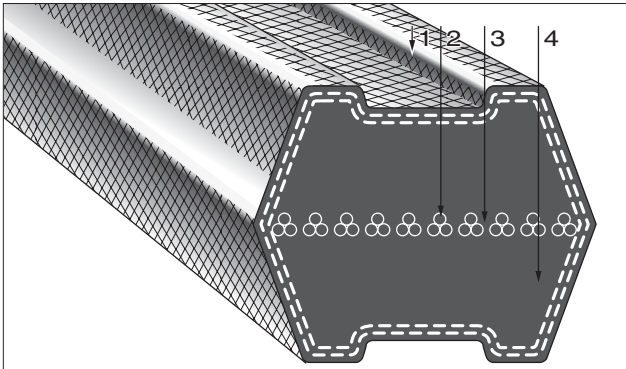


BANDO DOUBLE (HEXAGONAL) V-BELTS



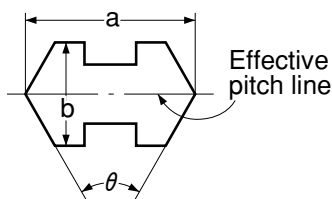
Construction

- 1: Rubber impregnated special woven canvas
- 2: Polyester tensile members
- 3: Chloroprene insulation rubber
- 4: Chloroprene compression rubber

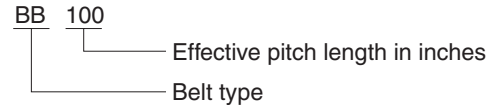
Features + Benefits

- Designed for reverse-bend serpentine drives by covering the belt with special woven fabric.
- New Cross Section for maintaining proper belt position in pulley groove even in the case of extreme reverse-bend drives.
- Due to greater flexibility created by the special woven fabric as well as to the New Cross Section, service life has increased by about 40% over that of traditional double V-Belts.

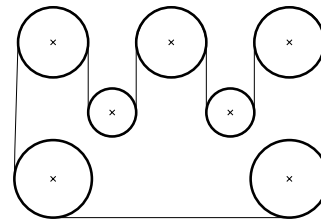
Dimensions



Size mark



Typical reverse-bend serpentine drive

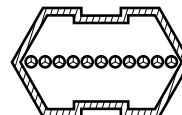


Standard Sizes

Type	Size number (Effective pitch length in inches)
AA	50 53 56 60 63 67 71 75 80 85 90 95 100 106 112 118 125 132 140
BB	60 63 67 71 75 80 85 90 95 100 106 112 118 125 132 140 150 160 170 180 190 200 212 224 236 250
CC	132 140 150 160 170 180 190 200 212 224 236 250 265 280 300

※ These sizes are in conformity to JTS.

New cross section



Conventional cross section

